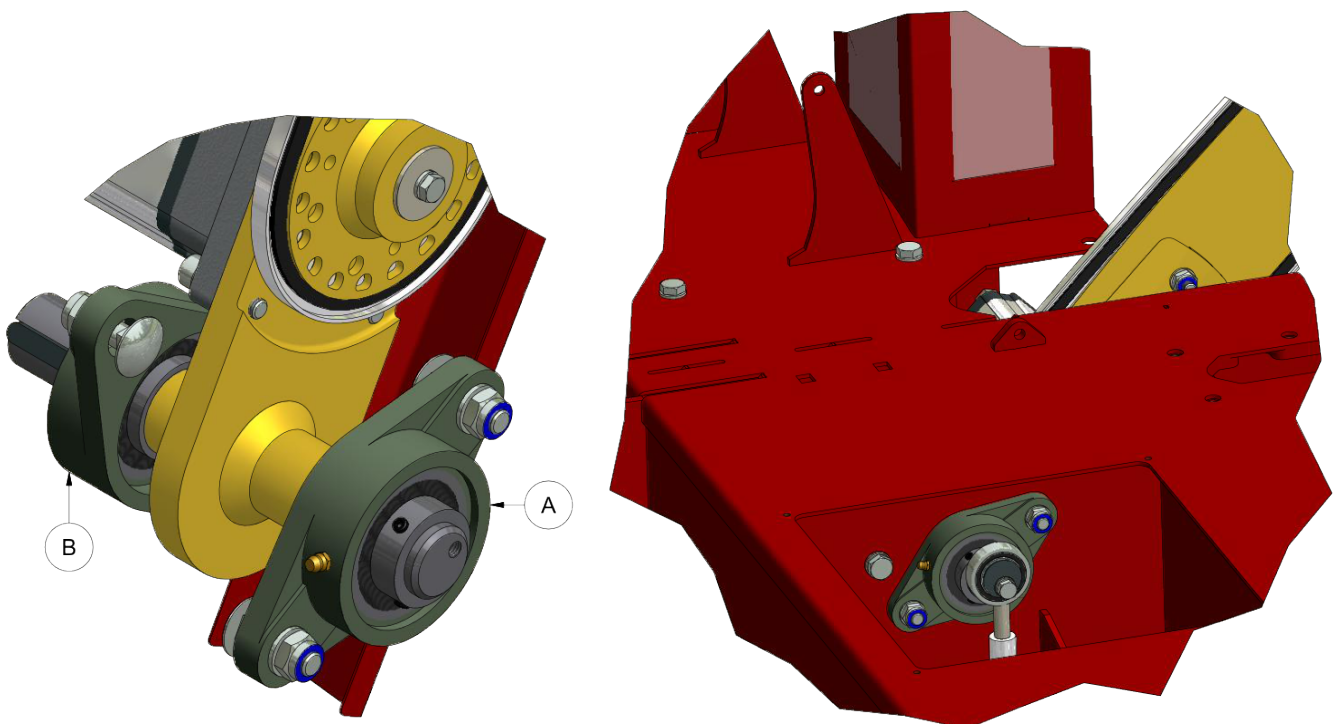
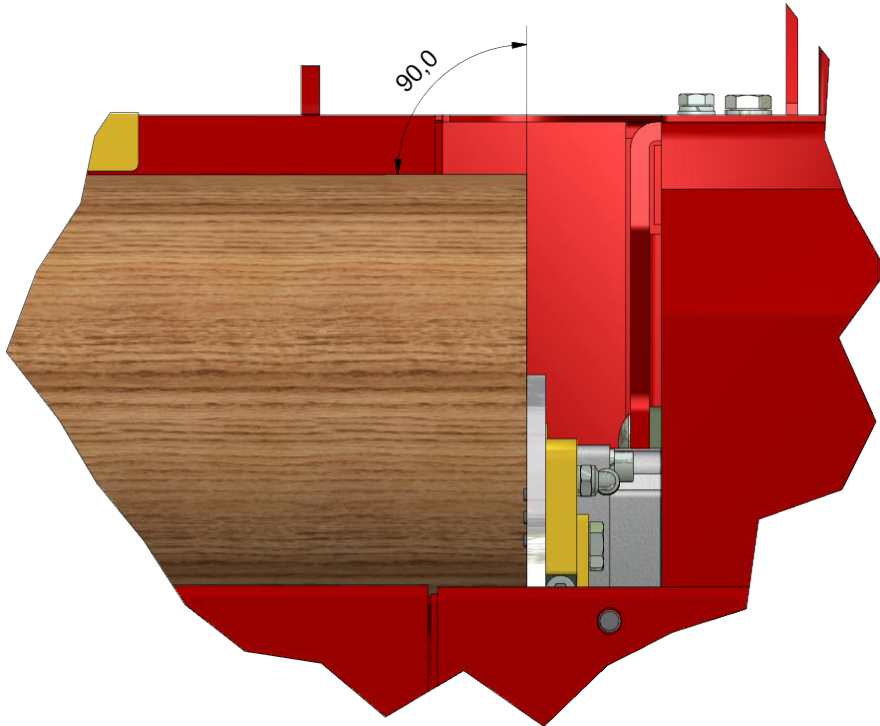


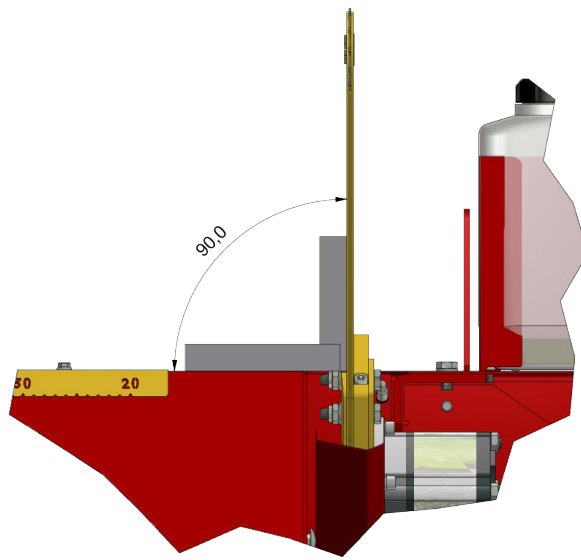
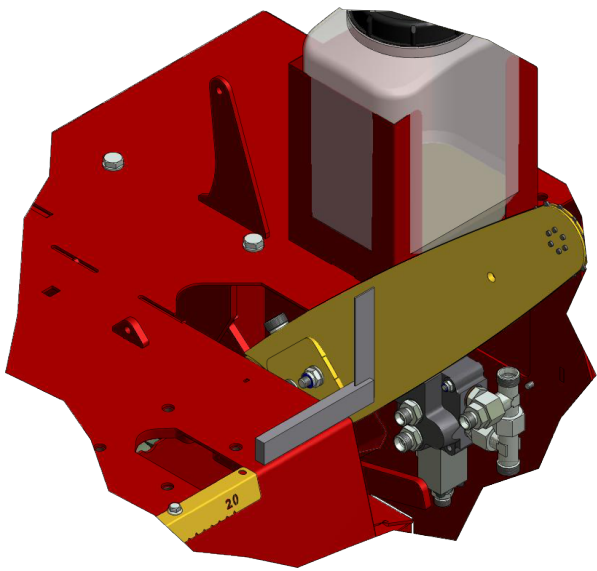
## Service description

Product: VM420	Service description No.: 4120-S021	Ver: 1
-------------------	--	-----------

### Adjustment of saw bar angle



The angle of the saw bar to be adjusted by moving the bearings marked A and B as illustrated. Bearing A to be adjusted vertically and bearing B horizontally.



Apply a 90 degree tool in order to adjust the angle correctly for the chassis. As illustrated the bar is to be adjusted to a 90 degree angle against the feeding belt